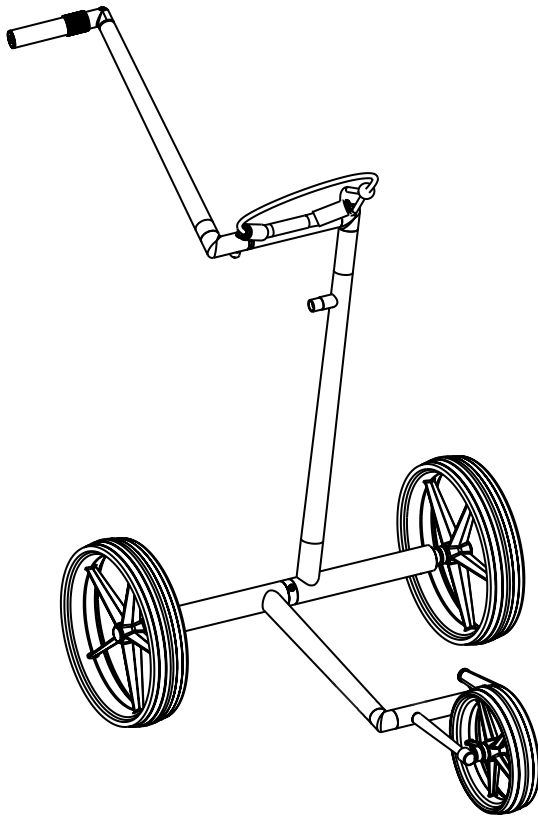


User Manual

BIG MAX e-Lite 3



Scope of Supply

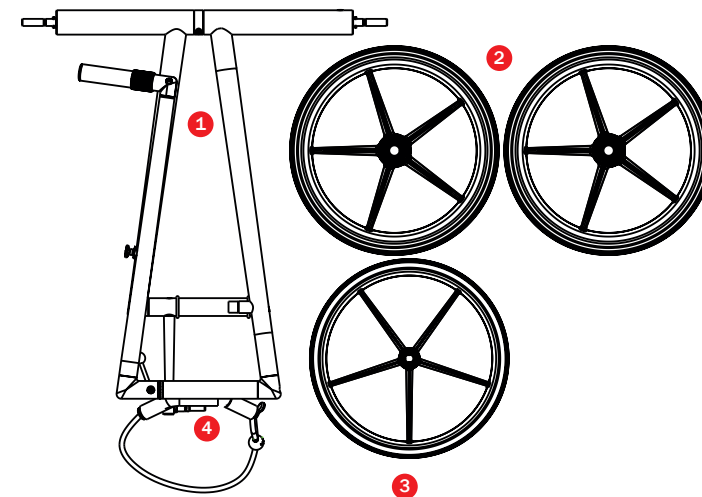
BIG MAX e-Lite 3

Congratulations on your new BIG MAX trolley!

The e-Lite 3 impresses with its compact elegance and remarkable simplicity. The aluminum frame has been conical shaped to ensure the load-bearing capacity optimize and ensure a particularly good strength. Combined with the special design of the frame structure of the e-Lite 3, the trolley is very comfortable to use, even when loaded with a full golf bag. This makes the e-Lite the ideal companion on the golf course, even in challenging terrain.

We wish you a lot of fun playing and a unique golfing experience!

- 1 Assembled Frames
- 2 2 Rear Wheels
- 3 1 Front wheel
- 4 Lower Bag holder bungee cord kit



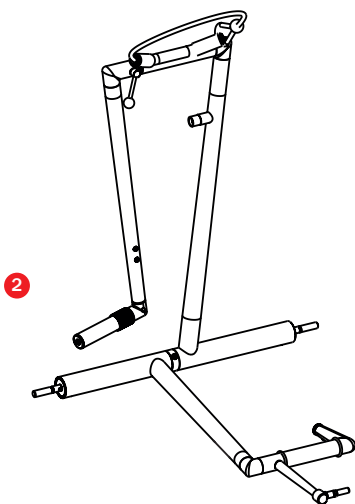
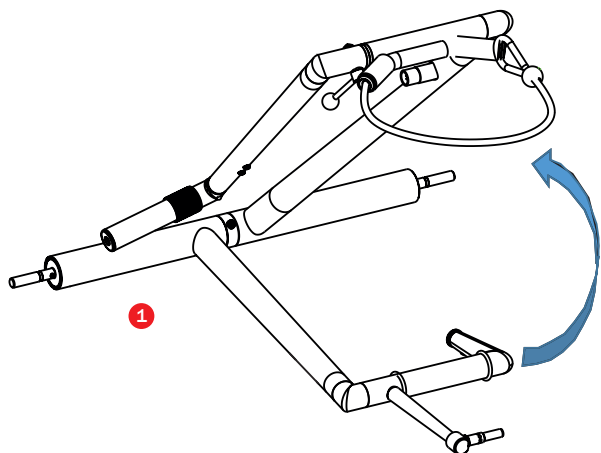
NOTE:

The illustrations and instructions shown may differ in detail depending on the model and equipment and may not necessarily correspond to the model you have purchased. These are to be understood schematically.

1. UNFOLDING APART

Step 1 2

- Unfold the upper frame



2. UNFOLDING APART

Step 3

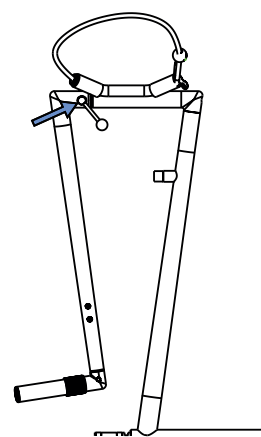
- Find the lock

Step 4

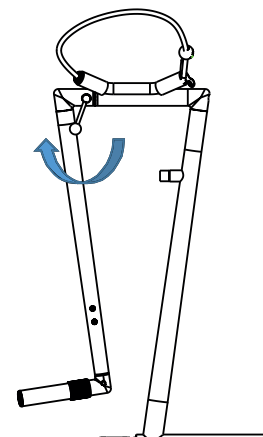
- Flip the lock clockwise to release it

Step 5

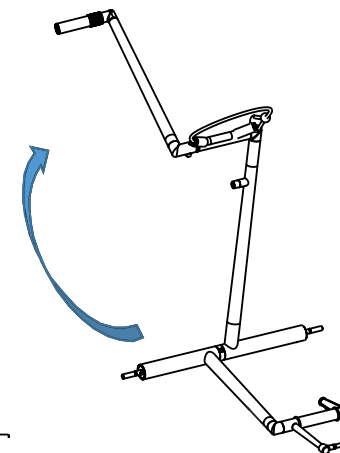
- Unfold the handle frame



3



4



5

3. MOUNTING THE FRONT WHEEL

Step 1

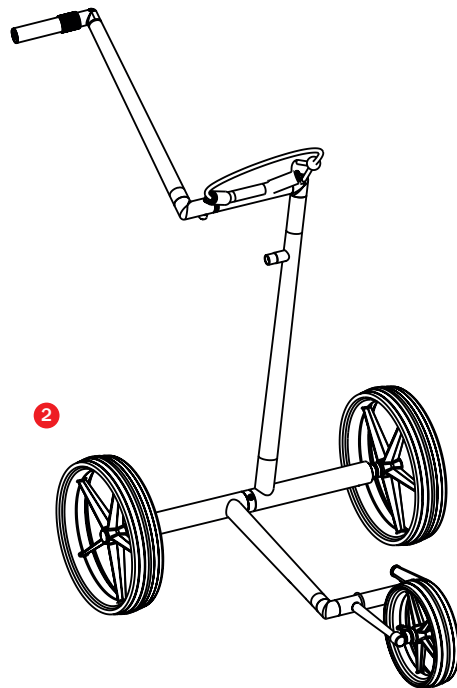
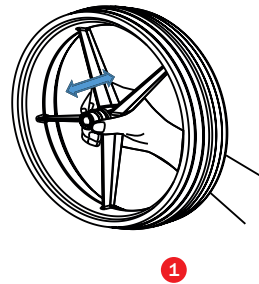
- ▶ Take the rear (front) wheel like the image shown.

Step 2

- ▶ Move back the bushing and attach wheel onto the wheel axle.

Step 3

- ▶ Make sure the wheel are in its right position



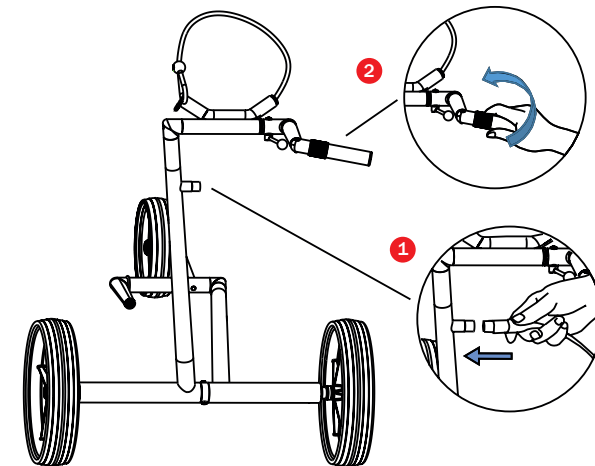
4. LITHIUM-IONS BATTERY

Step 1

- ▶ Plug in the battery, moving back and forth the trolley to wake up the battery

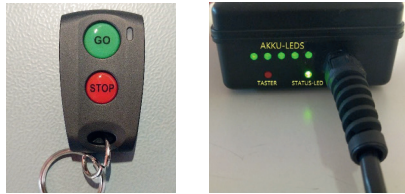
Step 2

- ▶ Turning the knob forth and operate your trolley



NOTE: To put the trolley apart again build, follow exactly all steps (including the previous pages) in reverse order.

5. HANDLING



Charge battery

- ▶ Charge your battery with the enclosed charger. If the battery is completely empty, a full charge of the battery takes about 3 hours. During the charging process, the left LED of the green accu LED row flashes. The battery is fully charged when all 5 LEDs light up.

Switch on the trolley

- ▶ Set the rotary switch on the trolley handle to the „STOP“ position (click into place in the notch).
- ▶ Now attach your charged battery to the trolley.
- ▶ Now push the trolley forward a little by hand to activate it (the green LED lights on the battery are now on). The trolley is now ready to go.
- ▶ If the green LED flashes after it has been pushed, the rotary switch must first be set to the „STOP“ position!

Rotary Switch

- ▶ The trolley can be switched to „DRIVE“, „STOP“ and „FREE RUN“ mode using the rotary switch.
- ▶ If the rotary switch is turned to the notch (clicking noise), the trolley is in „STOP“ mode and the brake is activated.
- ▶ If the rotary switch is turned forwards, the trolley changes to „DRIVE“ mode. The further the switch is turned forward, the faster the trolley will move.
- ▶ If the switch is left in the same position for a period of 10 minutes, the trolley automatically goes into „STOP“ mode. (Automatic Switch off Function)
- ▶ If the rotary switch is turned backwards from the notch, the trolley changes to „FREE RUN“ mode and it can be moved freely without a motor or brake.

Switch off

- ▶ If the trolley is in „STOP“ mode or „FREE RUN“ mode for longer than 1 hour, the control switches off completely automatically.
- ▶ If the battery is unplugged from the trolley, the control switches off immediately.
- ▶ If the battery voltage is too low, the control switches off.

Battery capacity indicator LEDs

- ▶ The green battery LED row lights up when the charger is plugged in and the battery is charging.
- ▶ The green battery LED row is activated for 15 seconds when the trolley is switched from DRIVE to STOP. The fewer green LED lamps light up in the row, the lower the charge level.
- ▶ If the trolley is switched off, you can press the red button on the battery and the battery power is displayed by the green battery LED row.
- ▶ The green battery LED row is automatically activated when the battery voltage is low (LEDs flash).

Remote Control

- ▶ The buttons on the remote control must always be pressed for approx. 0.5 seconds so that it can send a signal.
- ▶ The range of the radio connection is approx. 20 - 25m depending on the environment.
- ▶ The travel time of the trolley is limited to 15 seconds if it was started with the remote control.
- ▶ If the trolley is switched on, it can be switched from „STOP“ mode or „FREE RUN“ mode to „DRIVE“ mode with the green „GO“ button:
- ▶ The trolley can be stopped at any time with the „STOP“ button. This is independent of whether the trolley was activated in „DRIVE“ mode or in „FREE RUN“ mode via the rotary switch, or whether it was started by pressing the „GO“ button on the remote control.
- ▶ If the trolley was previously stopped with the rotary switch and the „GO“ button on the remote control is now pressed, the trolley will travel for approx. 15 seconds at a programmed speed and then stop.
- ▶ If the trolley was stopped while driving with the „STOP“ button on the remote control and then the „GO“ button is pressed, the trolley continues to move for 15 seconds at the speed set on the rotary switch and then stops. If the speed is higher than 50% of the maximum speed, for safety reasons the trolley starts at a permanently programmed speed and then has to be set again using the rotary switch.
- ▶ Control of the trolley can be taken over manually at any time by turning the rotary switch. The trolley now runs longer than 15 seconds (Max.10min)
- ▶ Regardless of whether the trolley was started manually or whether it was started with the remote control, it can always be stopped with the „STOP“ button.

Pairing a new Remote control

- ▶ The battery must be connected to the trolley and switched on by briefly pushing the trolley.
- ▶ Press and hold down the red button on the battery with a pen or similar object.
- ▶ As soon as the button is pressed, the LED next to the button goes out.
- ▶ After approx. 3 seconds the LED starts to flash green. (now the PAIRING MODE is activated)
- ▶ After approx. 5 seconds the LED starts to flash red. (now the REMOTE MODE is activated)
- ▶ The LED goes out again after approx. 8 seconds.
- ▶ If the button is released during the green flashing phase, you are in remote control pairing mode.
- ▶ The LED will now flash alternately red and green for the next 10 seconds.
- ▶ A new remote control can now be paired within these 10 seconds.
- ▶ To do this, press the STOP button on the remote control several times.
- ▶ When the remote control has been paired, the LED flashes green quickly for a few seconds.
- ▶ The new remote control has now been paired and is saved.

Functional check of the Remote control

- ▶ When you press the "GO" button on the remote control, the individual LED on the battery flickers green.
- ▶ When you press the „STOP" button on the remote control, the LED flickers red.

Remove a Remote control

- ▶ The battery must be connected to the trolley and switched on by briefly pushing the trolley.
- ▶ Press and hold down the red button on the battery with a pen or similar object.
- ▶ As soon as the button is pressed, the LED goes out.
- ▶ After approx. 5 seconds the LED starts to flash red. (now the REMOTE MODE is activated)
- ▶ If the button is released during the red flashing phase, you are in Remote Control removal mode.
- ▶ All saved remote controls are now removed.
- ▶ The LED flashes red for a few seconds as confirmation.

Over heating

- ▶ If the control system overheats, the STATUS LED on the battery lights up red and the maximum available drive power is reduced.
- ▶ When the control has cooled down again, the STATUS LED lights up green and the maximum drive power is available again.

6. IMPORTANT INFO ABOUT THE BATTERY

Warnings



Failure to comply with the warnings may damage the battery, invalidate the warranty and possibly cause a fire hazard!

- ▶ Do not throw the battery.
- ▶ Do not damage or manipulate the battery (drilling, welding, etc.)
- ▶ Do not drop the battery
- ▶ Keep battery away from fire
- ▶ Do not allow liquids to enter the battery and only use the battery in accordance with the IP protection class.
- ▶ Do not touch any leaking liquid.
- ▶ Damaged batteries or plugs must not be reused and must not be transported. The manufacturer must be notified in order to determine measures for further action.

Transport

- ▶ The battery system is transported in accordance with the international transport regulations ADR / RID, IATA and IMDG as well as the national transport regulations that require them to be declared as dangerous goods.
- ▶ The transport has to be carried out in accordance with UN 3480 „LITHIUM-ION BATTERIES“ resp. UN 3481 „LITHIUM-ION BATTERIES CONSTRUCTED IN EQUIPMENT/PACKAGED WITH EQUIPMENT“.
- ▶ Batteries that have been dropped or have a deformation on the housing must not be transported. Please inform the supplier/manufacturer immediately.

Waste disposal



- ▶ For disposal of the battery system please observe your regional legal requirements and send the batteries for recycling. Alternatively, you can send the battery to the manufacturer.

Do not dispose of the battery system with household waste. As the final customer you are obliged to dispose of the battery system in the most environmentally friendly way possible.

Warranty (Battery system)

- ▶ The battery system is subject to statutory warranty and warranty regulations. BIG MAX reserves the right to remedy any defect by rectification or replacement delivery in the event of justified claims.



No guarantee can be given for:

- ▶ **Damage to the system:**
 - Transport damage
 - Falling damage
 - Mechanical damage to connectors and cables
 - Water or Liquid inlet
- ▶ **Changes to the system:**
 - Open housing
 - Changes to the system (mechanical / electrical / Parametrization / Software)
 - Removal or defacing of the plate, serial number and/or date of manufacture
- ▶ **Improper handling and / or not for the intended use:**
 - Charging by means of an unapproved charger
 - Improper handling or storage
 - Connection of unapproved devices
 - Misuse
 - Operation outside the specified operating conditions
 - Damage of the battery by external environmental influences, e. g. excess voltage due to lightning.

Natural wear and tear due to use and/or aging does not constitute a defect and is also not subject to Warranty/warranty. This includes, in particular, reduction of battery capacity. If you have any further questions about battery, please contact the manufacturer our company directly. We will be happy to advise you.

For further questions about the handling of the battery please contact our company directly.

BIG MAX Europe
 Carlberggasse 66
 1230 Vienna
 Phone: +43 1 867 43 33
 E-Mail: office@golfttech.at

7. IMPORTANT INFO ABOUT THE TROLLEY



ATTENTION! Important notes:

- ▶ The trolley can be pushed in freewheel up to a speed of 17km/h without damage. Speeds above this can damage the mechanics (motor and gearbox) and the electronics. When pushing the trolley in freewheel mode, a brake function is automatically applied as soon as the critical speed is reached. This causes energy to be diverted into the battery. If the battery is full or not connected to the trolley, this energy cannot be dissipated and will damage the electronics.
- ▶ If the trolley is used in the normal electric mode and the trolley accelerates above the set speed (downhill), the electronics will slow the trolley, bringing the trolley to the desired speed. This energy is returned back into the battery. This can be done until the battery is fully charged, then the electronics automatically switch to freewheel operation.

WARRANTY, STORAGE, CARE

Warranty

- ▶ **All BIG MAX trolleys are manufactured to the highest quality standards. The warranty is 24 months from the date of purchase.**
- ▶ The warranty is 24 months from the date of purchase.
- ▶ Excluded from the warranty and guarantee are wearing parts such as battery, bearings, tyres, bushes, leather handles or belts. Also excluded are improper use of the trolley, overloading with a golf bag that is too heavily loaded (max. 16 kg), water damage due to submerging or e. g. cleaning the trolley with a high-pressure cleaner.

To ensure that you receive help as quickly and easily as possible in the event of a warranty claim, **please register your product within 30 days of purchasing at warranty.bigmaxgolf.com**. You can also scan the QR code below, which will lead you directly to registration.



- ▶ In case of warranty please contact your dealer or contact us directly.
- ▶ In case of replacement deliveries or repairs made under warranty, the warranty period will not be extended.
- ▶ Please dry the trolley after playing in the rain.

Liability



ATTENTION!
The buyer is responsible for the liability in case of improper use. Do not leave the trolley unattended. The trolley is ONLY intended for transporting golf bags with clubs. The trolley is not intended to transport people or even children!

Cleaning and Care



ATTENTION!
Never clean the trolley with a pressure washer! This destroys seals and electronic components. In this case the warranty and guarantee expires.

- ▶ Clean the trolley only with non-abrasive household cleaners and a soft cloth. Water stains can be removed with a microfibre cloth and stainless steel cleaner.
- ▶ Do not oil or grease the trolley! All materials are of low-wear design - greasing is not necessary.

ACCESSORIES

Optional Accessories

- ▶ Please only use BIG MAX original accessories, as damage caused by using non-BIG MAX original accessories will invalidate the warranty and guarantee.

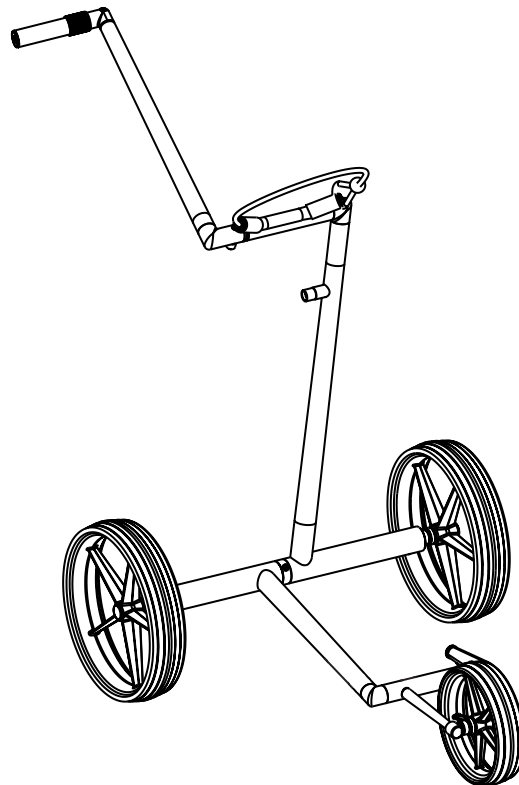
Further information on accessories is available from selected specialist dealers or at www.bigmaxgolf.com

Bedienungsanleitung

BIG MAX e-Lite 3

Herzlichen Glückwunsch zu Ihrem neuen BIG MAX Trolley!

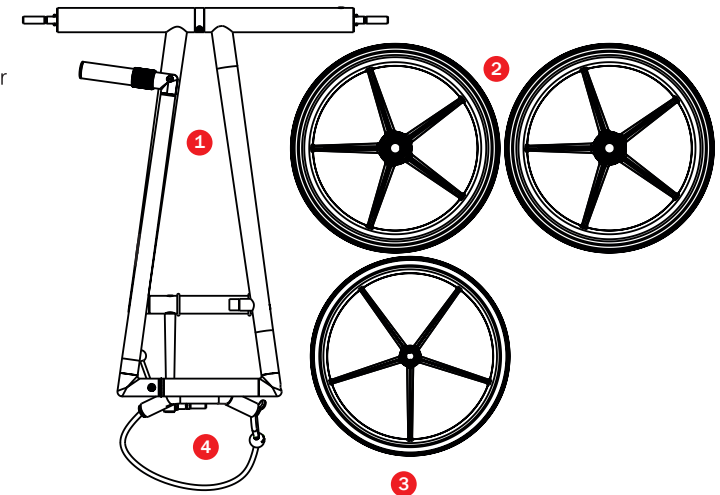
Der e-LITE 3 überzeugt durch kompakte Eleganz und bemerkenswerte Einfachheit. Der Aluminium-Rahmen wurde konisch geformt, um die Tragfähigkeit zu optimieren und eine besonders gute Festigkeit zu gewährleisten. Kombiniert mit dem speziellen Design der Rahmenstruktur des e-LITE 3 ist der Trolley sehr komfortabel zu bedienen, selbst wenn er mit einer vollen Golf Tasche beladen ist. Dies macht den e-LITE zum idealen Begleiter auf dem Golfplatz, auch in anspruchsvollem Gelände. **Wir wünschen Ihnen viel Spaß beim Spiel und ein einzigartiges Golferlebnis!**



Lieferumfang

BIG MAX e-Lite 3

- 1 Faltrahmen
- 2 Leichtlaufräder Hinterachse
- 3 Leichtlauftrad vorne
- 4 Bag Halterung

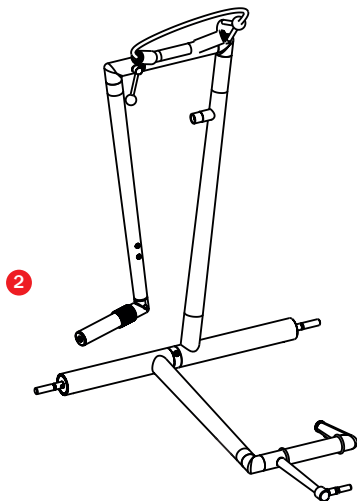
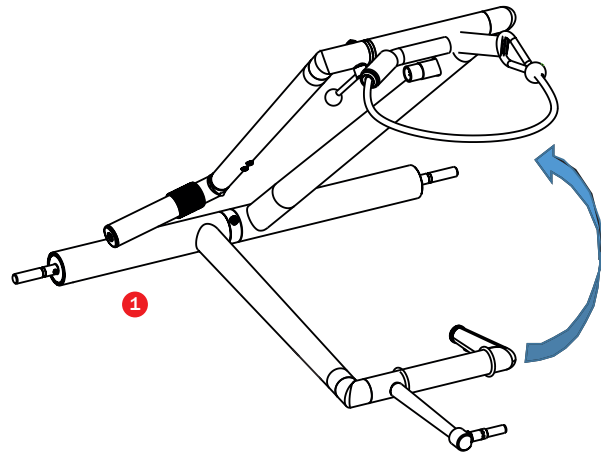


HINWEIS:
Die dargestellten Abbildungen mit Anleitung können sich je nach Modell und Ausstattung in den Details voneinander unterscheiden und müssen nicht unbedingt Ihrem jeweiligen gekauften Modell entsprechen. Diese sind schematisch zu verstehen.

1. AUSEINANDERKLAPPEN

Schritt 1 2

- ▶ Öffnen Sie den oberen Teil des Rahmens



2. AUSEINANDERKLAPPEN

Schritt 3

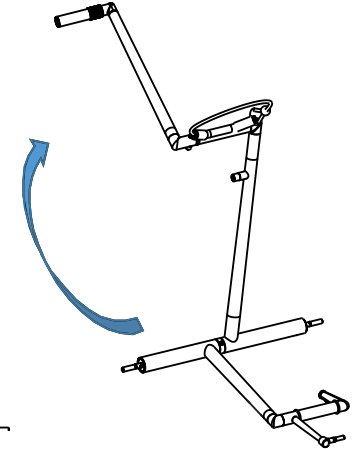
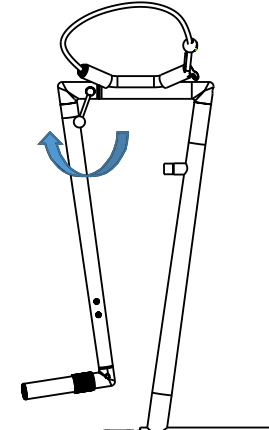
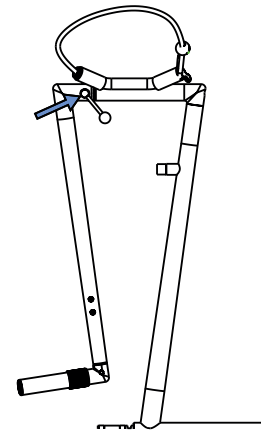
- ▶ Ergreifen Sie den Hebel zum Lockern des Griffarms

Schritt 4

- ▶ Drehen Sie den Hebel im Uhrzeigersinn, um diesen zu lösen

Schritt 5

- ▶ Klappen Sie den Griffarm auf



3. MONTAGE DES FRONTRADS

Schritt 1

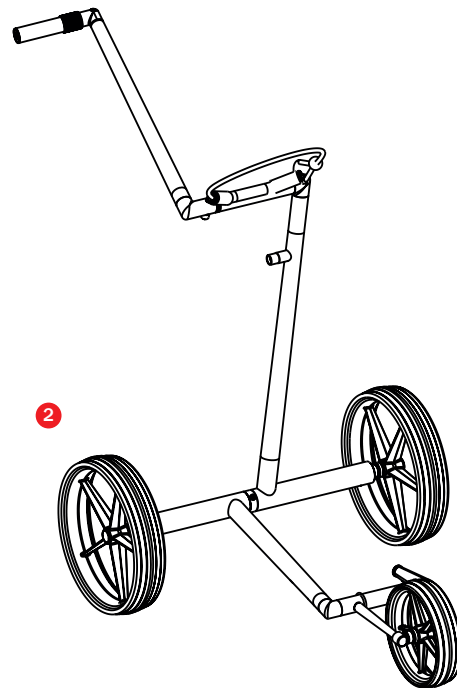
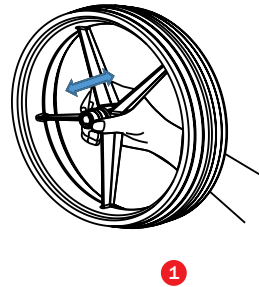
- Nehmen Sie das Vorder-/Hinterrad wie auf der Abb. gezeigt.

Schritt 2

- Bewegen Sie die Buchse zurück und stecken Sie das Rad auf die Achse

Schritt 3

- Stellen Sie sicher, dass sich das Rad in der richtigen Position befindet



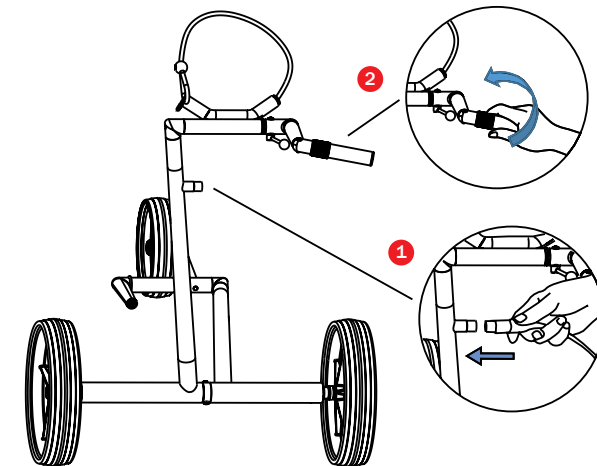
4. LITHIUM-IONEN AKKU

Schritt 1

- Stecken Sie den Akku ein und bewegen Sie den Trolley hin und her, um den Akku aufzuwecken

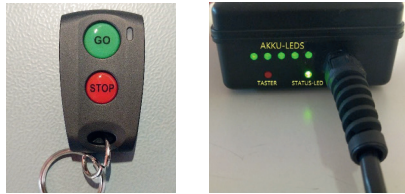
Schritt 2

- Drehen Sie den Knopf, um Ihren Trolley zu bedienen



HINWEIS: Um den Trolley wieder auseinander zu bauen, befolgen Sie exakt alle Schritte (auch der vorherigen Seiten) in umgekehrter Reihenfolge.

5. BEDIENUNG



Akku aufladen

- ▶ Laden Sie Ihren Akku mit dem beiliegenden Ladegerät auf. Ist der Akku komplett leer, dauert eine vollständige Ladung des Akkus ca. 3h. Während des Ladevorgangs blinkt die linke LED der grünen AKKU-LED Reihe. Der Akku ist komplett aufgeladen, wenn alle 5 LEDs aufleuchten.

Trolley einschalten

- ▶ Stellen Sie den Drehschalter am Trolley auf die „STOP“-Stellung (Rastet mit einem Klick in die Rasterung ein).
- ▶ Stecken Sie nun Ihren aufgeladenen Akku an den Trolley.
- ▶ Schieben Sie den Trolley nun per Hand ein Stück vorwärts, um diesen zu aktivieren (die grünen LED Lampen am Akku leuchten nun). Jetzt ist der Trolley fahrbereit.
- ▶ Blinkt die grüne LED nach dem Anschieben, muss der Drehschalter zuerst noch in die „STOP“-Stellung gebracht werden!

Fahren mit dem Drehschalter

- ▶ Mit dem Drehschalter kann der Trolley in den „FAHR“-, „STOP“- und „FREILAUF“-Modus gebracht werden.
- ▶ Wird der Drehschalter auf die Rasterung gedreht (Klickgeräusch), ist der Trolley im „STOP“-Modus und die Bremse ist aktiviert.
- ▶ Wird der Drehschalter von der Rasterung nach vorne gedreht, wechselt der Trolley in den „FAHREN“-Modus. Je weiter der Schalter nach vorne gedreht wird, umso schneller wird der Trolley.
- ▶ Wird der Schalter über einen Zeitraum von 10 Minuten in der gleichen Position gelassen, geht der Trolley automatisch in den „STOP“-Modus. (AUTOMATISCHE ABSCHALTFUNKTION)
- ▶ Wird der Drehschalter von der Rasterung nach hinten gedreht, wechselt der Trolley in den „FREILAUF“-Modus und er ist ohne Motor und Bremse frei bewegbar.

Trolley ausschalten

- ▶ Steht der Trolley länger als 1 Stunde im „STOP“- oder „FREILAUF“-Modus, schaltet sich die Steuerung automatisch ab.
- ▶ Wird der Akku am Trolley ausgesteckt, schaltet sich die Steuerung sofort ab.
- ▶ Ist die AKKUSPANNUNG zu gering, schaltet sich die Steuerung ab.

Akku-Kapazitätsanzeige LEDs

- ▶ Die grüne AKKU-LED Reihe leuchtet, wenn das Ladegerät angeschlossen ist und der Akku lädt.
- ▶ Die grüne AKKU-LED Reihe wird für 15 Sekunden aktiviert, wenn der Trolley von „FAHREN“ auf „STOP“ geschaltet wird. Je weniger grüne LED Lampen in der Reihe leuchten, desto geringer ist der Ladezustand.
- ▶ Ist der Trolley ausgeschaltet, kann man am Akku den roten Taster drücken und die Akkuleistung wird durch die grüne AKKU-LED Reihe angezeigt.
- ▶ Die grüne AKKU-LED Reihe wird automatisch aktiviert, wenn die Akkuspannung niedrig ist (LEDs blinken).

Fahren mit Fernbedienung

- ▶ Die Tasten der Fernbedienung müssen immer ca. 0,5 Sekunden gedrückt werden, damit diese auch ein Signal senden kann.
- ▶ Die Reichweite der Funkverbindung beträgt je nach Umgebung ca. 20 - 25m.
- ▶ Die Fahrdauer des Trolley ist auf 15 Sekunden begrenzt, wenn er mit der Fernbedienung gestartet wurde.
- ▶ Ist der Trolley eingeschaltet, kann man den Trolley mit der grünen „GO“-Taste aus dem „STOP“-Modus oder dem „FREILAUF“-Modus in den „FAHREN“-Modus versetzen:
- ▶ Mit der „STOP“-Taste kann der Trolley jederzeit gestoppt werden. Dies ist unabhängig davon, ob sich der Trolley zuvor durch das Bedienen des Drehschalters im „FAHREN“- oder im „FREILAUF“-Modus befindet, oder ob er durch die Betätigung der „GO“-Taste mit der Fernbedienung gestartet wurde.
- ▶ Wenn der Trolley zuvor mit dem Drehschalter gestoppt wurde und jetzt die „GO“-Taste an der Fernbedienung gedrückt wird, fährt der Trolley für ca. 15 Sekunden mit einer fest einprogrammierten Geschwindigkeit und stoppt dann. (Distanzfahrt)
- ▶ Wenn der Trolley während der Fahrt mit der „STOP“-Taste an der Fernbedienung gestoppt wurde und jetzt die „GO“-Taste gedrückt wird, fährt der CADDY für 15 Sekunden mit der am Drehschalter eingestellten Geschwindigkeit weiter und stoppt dann. Ist die Geschwindigkeit jedoch höher als 50% der Maximalgeschwindigkeit, so startet der Trolley, aus Sicherheitsgründen, mit einer fest einprogrammierten Geschwindigkeit und muss dann am Drehschalter wieder neu eingestellt werden.
- ▶ Während der Steuerung mit der Fernbedienung, kann auch jederzeit durch Drehen des Drehschalters manuell übernommen werden. Der Trolley fährt nun länger als 15 Sekunden (Max.10min)
- ▶ Egal, ob der Trolley manuell oder mit der Fernbedienung gestartet wurde, er kann immer mit der „STOP“-Taste angehalten werden.

Neue Fernbedienung anlernen

- ▶ Der Akku muss am Trolley angeschlossen sein und durch ein kurzes Anschieben eingeschalten werden.
- ▶ Drücken Sie den roten Taster am Akku mit einem Stift oder ähnlichen Gegenstand und halten diesen gedrückt.
- ▶ Sobald der Taster gedrückt wird, geht die LED neben dem Taster zuerst aus.
- ▶ Nach ca. 3 Sekunden fängt die LED an Grün zu blinken. (Jetzt ist der ANLERNMODUS aktivierbar)
- ▶ Nach ca. 5 Sekunden fängt die LED an Rot zu blinken. (Jetzt ist der ENTFERNMODUS aktivierbar)
- ▶ Nach ca. 8 Sekunden geht die LED wieder aus.
- ▶ Wenn der Taster nun während der grünen Blinkphase losgelassen wird, befindet man sich im Fernbedienung-Anlern-Modus.
- ▶ Die LED blinkt jetzt für die nächsten 10 Sekunden abwechselnd Rot und Grün.
- ▶ In diesen 10s kann jetzt eine neue Fernbedienung angelernt werden.
- ▶ Dazu wird an der Fernbedienung mehrmals die „STOP“-Taste betätigt.
- ▶ Wenn die Fernbedienung angelernt wurde, blinkt die LED für einige Sekunden schnell grün auf.
- ▶ Die neue Fernbedienung wurde jetzt angelernt und ist gespeichert.

Funktionskontrolle der Fernbedienung

- ▶ Solange man an der Fernbedienung die „GO“-Taste drückt, flackert die einzelne LED grün am Akku.
- ▶ Solange man an der Fernbedienung die „STOP“-Taste drückt, flackert die LED rot.

Fernbedienung entfernen

- ▶ Der Akku muss am Trolley angeschlossen sein und durch ein kurzes Anschieben eingeschalten werden.
- ▶ Drücken Sie den roten Taster am Akku mit einem Stift oder ähnlichen Gegenstand und halten diesen gedrückt.
- ▶ Sobald der Taster gedrückt wird, geht die LED zuerst aus.
- ▶ Nach ca. 5 Sekunden fängt die LED an Rot zu blinken. (Jetzt ist der „ENTFERN“-Modus aktivierbar)
- ▶ Wenn der Taster nun während der roten Blinkphase losgelassen wird, befindet man sich im Fernbedienung-„ENTFERN“-Modus!
- ▶ Alle abgespeicherten Fernbedienungen werden jetzt entfernt.
- ▶ Die LED blinkt als Bestätigung für einige Sekunden rot auf.

Übertemperatur

- ▶ Bei einer Übertemperatur der Steuerung, leuchtet die STATUS-LED am Akku rot auf und die maximal zur Verfügung stehende Antriebsleistung wird verringert.
- ▶ Wenn die Steuerung wieder abgekühlt ist, leuchtet die STATUS-LED grün und die maximale Antriebsleistung steht wieder zur Verfügung.

6. WICHTIGES ZUM AKKU

Warnhinweise



Nichteinhaltung der Warnhinweise kann den Akku beschädigen, führt zum Erlöschen der Garantie und unter Umständen zu Brandgefahr!

- ▶ Akku nicht werfen.
- ▶ Akku nicht beschädigen oder manipulieren (anbohren, schweißen etc.).
- ▶ Akku nicht stürzen oder fallen lassen.
- ▶ Akku von Feuer fernhalten.
- ▶ Keine Flüssigkeiten in den Akku eindringen lassen und den Akku nur gemäß der IP-Schutzklasse verwenden.
- ▶ Austretende Flüssigkeit nicht berühren.
- ▶ Beschädigte Akkus oder Stecker dürfen nicht weiterverwendet werden und dürfen nicht transportiert werden. Der Hersteller ist zu benachrichtigen, um Maßnahmen zum weiteren Vorgehen festzulegen.

Transport

- ▶ Das Akkusystem ist gem. den internationalen Beförderungsvorschriften ADR / RID, IATA und IMDG sowie den nationalen Beförderungsvorschriften zu transportieren und als Gefahrgut zu deklarieren.
- ▶ Der Transport hat gemäß UN 3480 „LITHIUM-IONENBATTERIEN“ bzw. UN 3481 „LITHIUM-IONEN-BATTERIEN IN AUSRÜSTUNGEN VERBAUT/ MIT AUSRÜSTUNGEN VERPACKT“ zu erfolgen.
- ▶ Akkus, die einen Sturzschaden haben oder eine Deformation am Gehäuse aufzeigen, dürfen nicht transportiert werden. Bitte informieren Sie unverzüglich den Lieferant/Hersteller.

Entsorgung

- ▶ Zur Entsorgung des Akkusystems bitte die gesetzlichen Vorgaben beachten und die Akkus dem Recycling zuführen. Alternativ können Sie den Akku auch dem Hersteller zuschicken.



Das Akkusystem nicht dem Hausmüll zuführen. Als Endkunde sind Sie verpflichtet das Akkusystem umweltgerecht zu entsorgen!

Garantie (Akkusystem)

- ▶ Das Akkusystem unterliegt den gesetzlichen Garantie- und Gewährleistungsbestimmungen. BIG MAX behält sich vor, bei berechtigten Ansprüchen den Mangel durch Nachbesserung oder Ersatzlieferung zu beseitigen.



Keine Garantie kann übernommen werden bei:

- ▶ **Beschädigungen des Systems:**
 - Transportschaden
 - Sturzschaden
 - Mechanischen Schäden an Stecker und Kabel
 - Wasser- bzw. Flüssigkeitseintritt
- ▶ **Veränderungen am System:**
 - Geöffnetem Gehäuse
 - Veränderungen am System (mechanisch / elektrisch / Parametrisierung / Software)
 - Entfernung oder Unkenntlichmachung des Typenschildes, der Seriennummer und/oder des Herstelldatums
- ▶ **Unsachgemäßer Handhabung und/ oder nicht bestimmungsgemäßer Gebrauch:**
 - Laden mittels nicht zugelassenem Ladegerät
 - Unsachgemäßer Behandlung oder Lagerung
 - Anschluß nicht zugelassener Geräte
 - Nicht bestimmungsgemäßer Verwendung
 - Betrieb außerhalb der spezifizierten Betriebsbedingungen
 - Schädigung des Akkus durch äußere Umwelteinflüsse, z.B. Überspannung durch Blitzschlag.

Natürlicher Verschleiß durch Nutzung und/oder Alterung stellt keinen Mangel dar und unterliegt ebenfalls nicht der Garantie/Gewährleistung. Hierunter fällt insbesondere eine Verringerung der Akkukapazität.

Bei weiteren Fragen zum Thema Akku wenden Sie sich bitte direkt an unser Unternehmen.

Wir stehen Ihnen gerne beratend zur Seite.

BIG MAX Europe

Carlbergergasse 66

1230 Wien

Telefon: +43 1 867 43 33

E-Mail: office@golfftech.at

7. WICHTIGES ZUM TROLLEY



ACHTUNG! Wichtige Hinweise:

- ▶ Ausgehend von einem Raddurchmesser von 320mm ist das Schieben des Trolleys im Freilauf bis zu einer Geschwindigkeit von 17km/h ohne Schaden möglich. Geschwindigkeiten darüber können die Mechanik (Motor und Getriebe) und die Elektronik beschädigen.
- ▶ Beim Schieben des Trolleys im Freilauf erfolgt – sobald die kritische Geschwindigkeit erreicht ist – automatisch eine Bremsfunktion. Dies hat zur Folge, dass Energie in den Akku geladen wird. Ist der Akku voll oder nicht am Trolley angeschlossen, kann diese Energie nicht abgeführt werden und zerstört die Elektronik.
- ▶ Wird der Trolley im normalen elektr. Fahrbetrieb über die eingestellte Geschwindigkeit beschleunigt (Bergabfahrt), bremst die Elektronik den Trolley auf die gewünschte Geschwindigkeit. Die dadurch gewonnene Energie wird in den Akku zurückgeladen. Dies kann solange erfolgen, bis der Akku vollständig geladen ist. Dann schaltet die Elektronik automatisch in den Freilaufbetrieb.

GARANTIE, HALTUNG, PFLEGE

Garantieleistung

- ▶ **Alle BIG MAX Trolleys werden unter höchsten Qualitäts-Standards hergestellt.**
- ▶ Die Garantie beträgt 24 Monate ab Kaufdatum.

Ausgeschlossen von der Garantie und Gewährleistung sind Verschleißteile wie zB. Akku, Lager, Reifen, Buchsen, Ledergriff, oder Gurte. Ebenfalls ausgeschlossen sind unsachgemäße Verwendung des Trolleys, Überlastung durch z.B. ein zu schwer beladenes Golfbag (max. 16 kg), Wasserschäden durch Tauchen oder bspw. das Reinigen des Trolleys mit einem Hochdruckreiniger.

Damit Sie im Garantiefall so schnell und unkompliziert wie möglich Hilfe erhalten, **registrieren Sie sich bitte innerhalb von 30 Tagen, ab dem Kauf ihres Produktes, unter warranty.bigmaxgolf.com** Sie können hierzu auch den QR Code scannen, der Sie direkt zur Registrierung führt.



- ▶ Im Garantie-Fall setzen Sie sich mit Ihrem Fachhändler oder direkt mit uns in Verbindung.

- ▶ Im Falle von Ersatzlieferungen oder geleisteten Reparaturen in der Garantie, tritt keine Verlängerung der Garantiefrist ein.

ACHTUNG!

Der Käufer ist verantwortlich für die Haftung bei unsachmäßiger Benutzung. Lassen Sie den Trolley nicht unbeaufsichtigt. Der Trolley ist NUR zum Transport von Golf-Bags mit Schlägern gedacht. Der Trolley ist nicht dafür vorgesehen, um Personen oder auch Kinder zu transportieren!



Haftung

- ▶ Nach dem Spiel im Regen bitte den Trolley abtrocknen.

Reinigen Sie den Trolley nur mit nicht-scheuernden Haushaltsmitteln und einem weichen Tuch. Wasserflecken lassen sich mit einem Mikrofasertuch und Edelstahlreiniger entfernen.

Reinigung und Pflege

ACHTUNG!

Reinigen Sie den Trolley niemals mit einem Hochdruckreiniger! Dadurch werden Dichtungen und Elektronikbauteile zerstört. In diesem Falle erlischt die Garantie und Gewährleistung.



- ▶ Ölen oder Fetten Sie den Trolley nicht! Alle Materialien sind verschleißarm konstruiert – ein Fetten ist nicht notwendig.

ZUBEHÖR

Optionales Zubehör

- ▶ Bitte verwenden Sie nur BIG MAX-Original-Zubehör, da bei Beschädigungen durch Nutzung von nicht BIG MAX Original-Zubehör die Gewährleistung und Garantie erlischt.

- ▶ Weitere Infos zum Zubehör erhalten Sie im ausgewählten Fachhandel oder auf www.bigmaxgolf.com

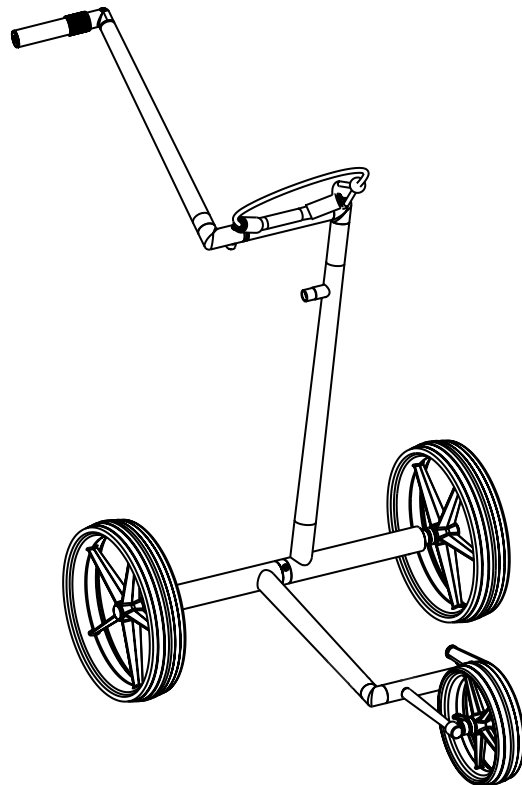
Manuel d'utilisateur

BIG MAX e-Lite 3

Félicitations pour votre nouveau chariot BIG MAX!

L'e-Lite 3 impressionne par son élégance compacte et sa remarquable simplicité. Le cadre en aluminium a une forme conique pour optimiser la capacité de charge et assurer une très bonne résistance. La structure spéciale du cadre de l'e-Lite 3 rend le chariot facile à utiliser. Cela fait de l'e-Lite le compagnon idéal sur votre terrain de golf.

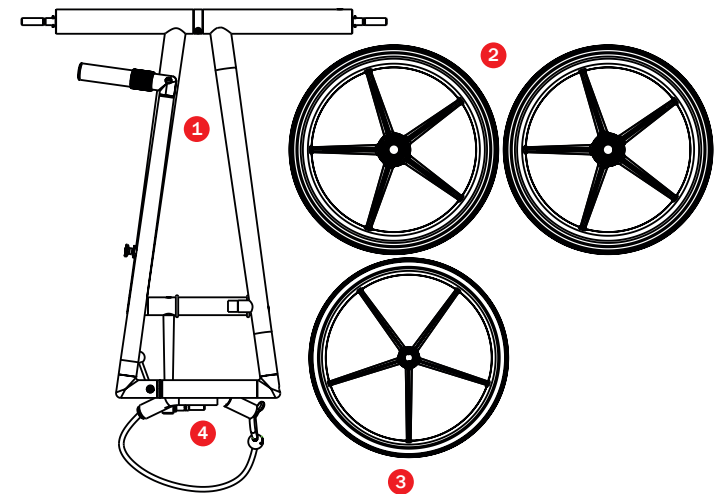
Nous vous souhaitons beaucoup de plaisir et une expérience de golf unique!



Contenu

BIG MAX e-Lite 3

- 1 1 cadre pliable
- 2 Roues lisses sur l'essieu arrière
- 3 Roue avant lisse
- 4 Support du sac



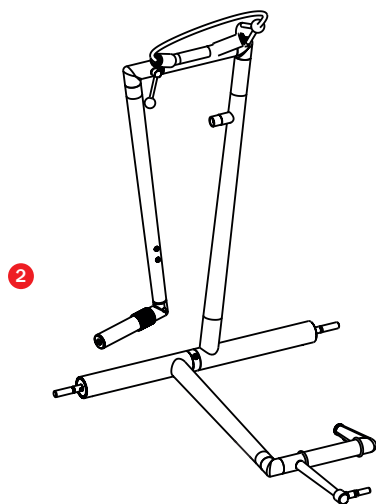
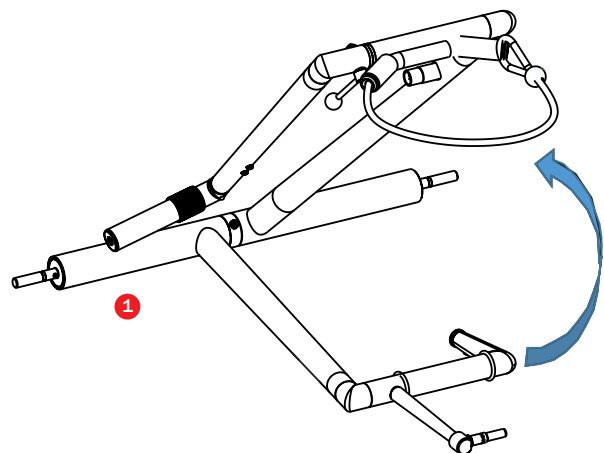
REMARQUE:

Les illustrations avec des instructions peuvent différer dans les détails selon le modèle et l'équipement et ne doivent pas nécessairement correspondre au modèle que vous avez acheté.

1. DEPLOYER LE CHARIOT

Etape 1 2

- Ouvrez le haut du cadre



2. OUVERTURE DU CHARIOT

Etape 3

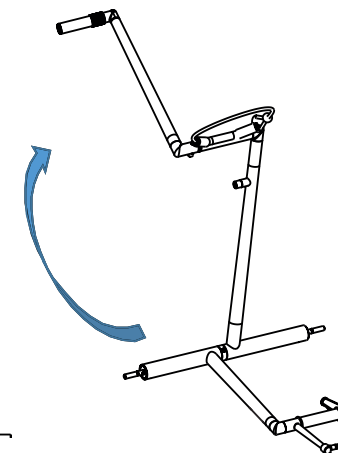
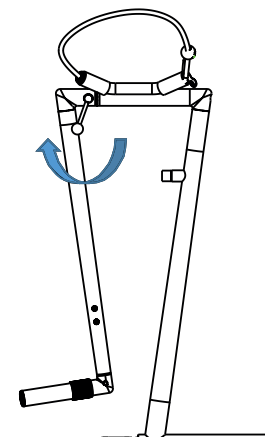
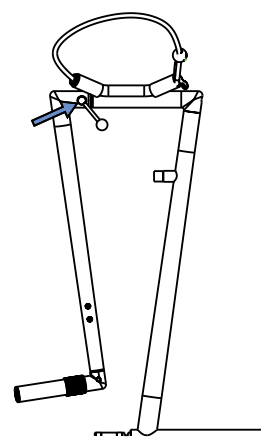
- Saisissez le levier pour desserrer le bras de poignée

Etape 4

- Tournez le levier dans le sens des aiguilles d'une montre pour le desserrer

Etape 5

- Déplier le bras de poignée



3. MONTAGE DE LA ROUE AVANT

Etape 1

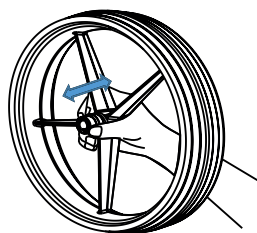
- Tenez la roue avant comme indiqué sur l'illustration

Etape 2

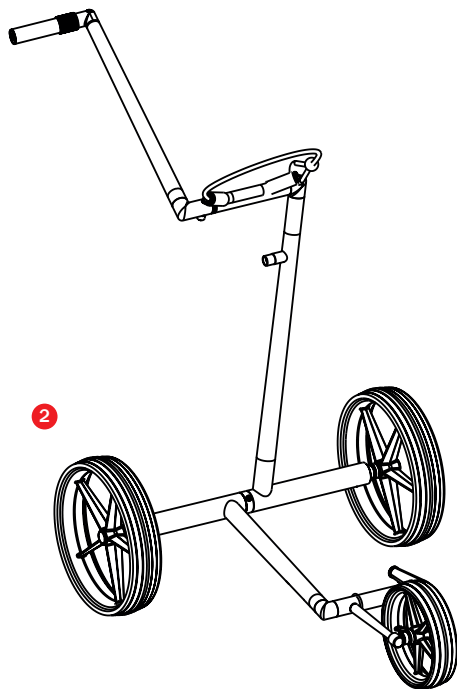
- Reculez la douille et placez la roue sur l'essieu

Etape 3

- Assurez vous que la roue soit dans la bonne position



1



2

REMARQUE
pour démonter à nouveau le chariot, suivez exactement toutes les étapes (y compris celles des pages précédentes) dans l'ordre inverse

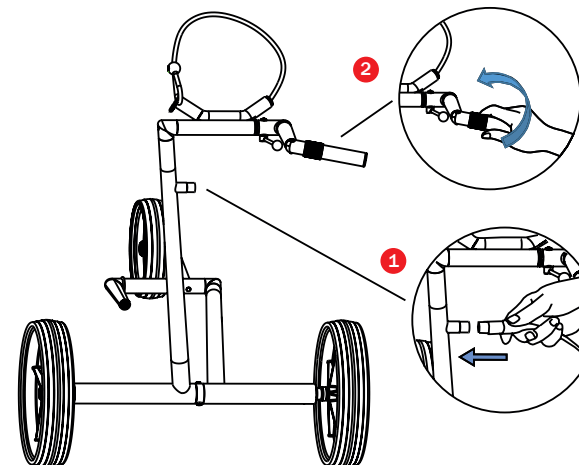
4. BATTERIE LITHIUM

Etape 1

- Branchez la batterie et déplacez le chariot pour réveiller la batterie

Etape 2

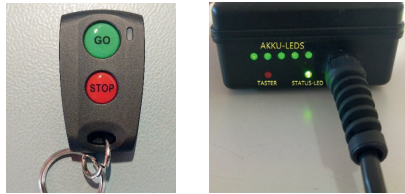
- Tournez le bouton pour faire fonctionner votre chariot



2

1

5. UTILISATION



Recharger la batterie

- ▶ Chargez votre batterie avec le chargeur fourni. Si la batterie est complètement vide, il faut environ 3 heures pour la charger complètement. Pendant le processus de charge, la LED gauche de la rangée de LED verte AKKU clignote. La batterie est complètement chargée lorsque les 5 LED s'allument.

Allumer le chariot

- ▶ Mettez le commutateur rotatif du chariot en position «STOP» (dans l'encoche du cran d'arrêt).
- ▶ Branchez maintenant votre batterie chargée dans le chariot.
- ▶ Poussez brièvement le chariot vers l'avant à la main pour l'activer (les voyants LED verts de la batterie sont maintenant allumés). Le chariot est maintenant prêt à partir.
- ▶ Si la LED verte clignote après avoir tenté d'activer le chariot: le commutateur rotatif doit d'abord être mis en position «STOP»!

Conduire avec le commutateur rotatif

- ▶ Le chariot peut être commuté en mode «DRIVE», «STOP» et «ROUES LIBRES» à l'aide du commutateur rotatif.
- ▶ Si le commutateur rotatif est dans son cran d'arrêt, le chariot est en mode et le frein parking est activé.
- ▶ Si le commutateur rotatif est tourné vers l'avant, le chariot passe en mode «DRIVE». Plus l'interrupteur est tourné vers l'avant, plus le chariot ira vite.
- ▶ Si l'interrupteur est laissé dans la même position pendant 10 minutes, le chariot passera automatiquement dans le mode „STOP“. (FONCTION D'ARRÊT AUTOMATIQUE)
- ▶ Si le commutateur rotatif est tourné vers l'arrière à partir du cran d'arrêt, le chariot passe en mode «ROUES LIBRES» et peut être déplacé librement sans moteur ni frein.

Eteindre le chariot

- ▶ Si le chariot est en mode „STOP“ ou „FREE RUN“ pendant plus d'une heure, le chariot s'éteint automatiquement.
- ▶ Si la batterie est débranchée du chariot, le chariot s'éteint immédiatement.
- ▶ Si la TENSION DE LA BATTERIE est trop faible, le chariot s'éteint.

LED d'affichage de la capacité de la batterie

- ▶ La rangée de voyants verts de la batterie s'allume lorsque le chargeur est connecté et que la batterie est en charge.
- ▶ La rangée de LED de batterie verte est activée pendant 15 secondes lorsque le chariot passe de «DRIVE» à «STOP». Moins il y a de lampes LED vertes allumées, plus le niveau de charge est faible.
- ▶ Si le chariot est éteint, vous pouvez appuyer sur le bouton rouge de la batterie pour afficher la puissance de la batterie.
- ▶ La rangée de LED de batterie verte est automatiquement activée lorsque la tension de la batterie est faible (les LED clignotent).

Utilisation avec télécommande

- ▶ Les touches de la télécommande doivent toujours être enfoncées pendant environ 0,5 secondes pour qu'elle puisse également envoyer un signal.
- ▶ La portée de la connexion radio est d'environ 20 à 25 m selon l'environnement.
- ▶ Le temps roulage du chariot est limité à 15 secondes s'il a été démarré avec la télécommande. Réglez le mode „ROUE LIBRE“ sur le mode „DRIVE“:
- ▶ Le chariot peut être arrêté à tout moment avec le bouton „STOP“. Ceci indépendamment du fait que le chariot soit auparavant en mode „DRIVE“ ou en Mode „ROUES LIBRE“, ou s'il est activé en appuyant sur le bouton „GO“ avec la télécommande.
- ▶ Si le chariot a été précédemment arrêté avec le commutateur rotatif et que le bouton «GO» de la télécommande est enfoncé, le chariot se déplacera pendant environ 15 secondes à une vitesse programmée puis s'arrêtera. (Distance parcourue)
- ▶ Si le chariot a été arrêté pendant la conduite avec le bouton «STOP» de la télécommande et que le bouton «GO» est ensuite enfoncé, le CADDY continue de se déplacer pendant 15 secondes à la vitesse réglée sur le commutateur rotatif puis s'arrêtera. Si la vitesse est supérieure à 50 % de la vitesse maximale, pour des raisons de sécurité, le CADDY démarre à une vitesse programmée en permanence et doit ensuite être réglée à nouveau à l'aide du commutateur rotatif.
- ▶ Pendant le contrôle avec la télécommande, il peut également être pris en charge manuellement à tout moment en tournant le commutateur rotatif. Le CADDY roule maintenant plus longtemps que 15 secondes (Max.10min).
- ▶ Que le CADDY ait été démarré manuellement ou avec la télécommande, il peut toujours être arrêté avec le bouton «STOP».

Appairage d'une nouvelle télécommande

- ▶ La batterie doit être connectée au chariot et celui-ci est activé en le poussant brièvement.
- ▶ Appuyez sur le bouton rouge de la batterie avec un stylo ou un objet similaire et maintenez-le enfoncé.
- ▶ Dès que le bouton est enfoncé, la LED à côté du bouton s'éteint en premier. Après environ 3 secondes, la LED commence à clignoter en vert. (Le MODE APAIRAGE peut maintenant être activé)
- ▶ Après environ 5 secondes, la LED commence à clignoter en rouge. (Maintenant, le MODE À DISTANCE peut être activé)
- ▶ La LED s'éteint à nouveau après environ 8 secondes.
- ▶ Si le bouton est relâché pendant la phase de clignotement vert, vous êtes en mode d'appairage de la télécommande.
- ▶ La LED clignotera maintenant alternativement en rouge et en vert pendant les 10 prochaines secondes.
- ▶ Une nouvelle télécommande peut maintenant être appairée dans ces 10 secondes.
- ▶ Pour ce faire, la touche „STOP“ de la télécommande est enfoncée plusieurs fois.
- ▶ Lorsque la télécommande a été programmée, la LED clignote rapidement en vert pendant quelques secondes.
- ▶ La nouvelle télécommande a maintenant été appairée et enregistrée.

Contrôle du fonctionnement de la télécommande

- ▶ Quand vous appuyez sur le bouton « GO » de la commande à distance, la LED sur la batterie clignote en vert.
- ▶ Quand vous appuyez sur le bouton « STOP » de la commande à distance, la LED sur la batterie clignote en rouge.

Effacer une télécommande

- ▶ La batterie doit être connectée au chariot et celui-ci est activé en le poussant brièvement.
- ▶ Appuyez sur le bouton rouge de la batterie avec un stylo ou un objet similaire et maintenez-le enfoncé.
- ▶ Dès que le bouton est enfoncé, la LED s'éteint en premier. Après environ 5 secondes, la LED commence à clignoter en rouge. (Le mode « EFFACAGE » peut maintenant être activé),
- ▶ Si le bouton est relâché pendant la phase de clignotement rouge, vous êtes en mode « EFFACAGE » de la télécommande!
- ▶ Toutes les télécommandes enregistrées sont maintenant supprimées.
- ▶ La LED clignote en rouge pendant quelques secondes comme confirmation.

Surchauffe

- ▶ En cas de surchauffe du système de commande, la LED de la batterie s'allume en rouge et la puissance maximale disponible du variateur est automatiquement réduite.
- ▶ Lorsque le système a de nouveau refroidi, la LED STATUS s'allume en vert et la puissance maximale du variateur est à nouveau disponible à la puissance voulue.

6. IMPORTANT À PROPOS DE LA BATTERIE

Avertissement



Le non respect des avertissements peut endommager la batterie, invalider la garantie et, dans certaines circonstances, créer un risque d'incendie!

- ▶ Ne jetez pas la batterie.
- ▶ Ne pas endommager ni manipuler la batterie (perçage, soudure, etc.).
- ▶ Ne laissez pas tomber la batterie. Gardez la batterie à l'écart du feu.
- ▶ Ne laissez aucun liquide pénétrer dans la batterie et n'utilisez la batterie que conformément à la classe de protection IP.
- ▶ Ne touchez pas au liquide qui pourrait fuir.
- ▶ Les batteries ou connectiques endommagées ne doivent pas être utilisées et ne doivent pas être transportées. Le fabricant doit être informé afin de déterminer les mesures à prendre.

Transport

- ▶ Le système de batterie doit être transporté et déclaré comme marchandise dangereuse conformément aux réglementations internationales de transport ADR RID, IATA et IMDG ainsi qu'aux réglementations nationales de transport.
- ▶ Le transport doit être effectué conformément aux normes UN 3480 „PILES AU LITHIUM ION“ ou UN 3481 „PILES au LITHIUM ION INSTALLÉES DANS L'ÉQUIPEMENT EMBALLÉES AVEC ÉQUIPEMENT“
- ▶ Les batteries tombées ou présentant une déformation du boîtier ne doivent pas être transportées. Veuillez informer immédiatement le fournisseur / fabricant.

Disposition

- ▶ Lors de la mise au rebut du système de batterie, veuillez respecter les exigences légales et recycler les batteries.



Ne jetez pas le système de batterie avec les ordures ménagères. En tant que client final, vous êtes obligé de vous débarrasser du système de batteries de manière écologique!

Garantie (Batterie)

- ▶ Le système de batterie est soumis à la garantie légale et aux dispositions de garantie. BIG MAX se réserve le droit, en cas de réclamations justifiées, de remédier au défaut par une réparation ou un remplacement.



Aucune garantie ne peut être donnée pour:

▶ Dommages

- Dommages dû au transport
- Dégâts de chute
- Dommages mécaniques de la fiche et du câble
- Entrée d'eau ou de liquide

▶ Modifications

- Le boîtier a été ouvert
- Modifications (mécanique, électrique, paramétrage, logiciel)
- Retrait ou alternation de la plaque signalétique, du numéro de série et / ou de la date de fabrication

▶ Manipulation incorrecte et / ou utilisation incorrecte:

- Recharge avec un chargeur non autorisé
- Manipulation ou stockage incorrect
- Connexion d'appareils non autorisés
- Utilisation incorrecte
- Fonctionnement en dehors des conditions de fonctionnement spécifiées
- Dommages à la batterie dus à des influences environnementales externes (eg surtension due à la foudre.

L'usure naturelle due à l'utilisation et / ou au vieillissement ne représente pas un défaut et n'est pas non plus soumise à la garantie / garantie. Cela comprend notamment une réduction de la capacité de la batterie.

Si vous avez d'autres questions sur la batterie, veuillez contacter directement notre société. Nous serons heureux de vous conseiller.

BIG MAX Europe

Carlberggasse 66
1230 Vienne
Phone: +43 1867 43 33
E-Mail: office@golfttech.at

7. INFORMATIONS IMPORTANTES À PROPOS DU CHARIOT



ATTENTION! Remarques importantes:

- ▶ Avec un diamètre de roue de 320 mm, le chariot peut être poussé en roues libres jusqu'à une vitesse de 17 km/h maximum. Des vitesses supérieures à 17 km/h peuvent endommager la mécanique (moteur et boîte de vitesses) et l'électronique du chariot.
- ▶ Lors de la poussée du chariot en mode roues libres, une fonction de freinage est automatiquement appliquée dès que la vitesse critique est atteinte. Cela entraîne la charge d'énergie dans la batterie. Si la batterie est pleine ou non connectée au chariot, cette énergie ne peut pas être dissipée et détruit l'électronique.
- ▶ Si le chariot est utilisé en mode électrique normal et que le chariot accélère au-dessus de la vitesse réglée (descente), l'électronique freine le chariot à la vitesse souhaitée. L'énergie ainsi générée est rechargée dans la batterie. Cela peut être fait jusqu'à ce que la batterie soit complètement chargée. Ensuite, l'électronique passe automatiquement en mode roues libres.

GARANTIE ET ENTRETIEN

Garantie et entretien

Tous les chariots BIG MAX sont fabriqués selon les normes de qualité les plus élevées.

- ▶ La garantie est de 24 mois à compter de la date d'achat.
- ▶ Sont exclues de la garantie : les pièces d'usure telles que la batterie, les roulements, les pneus, les bagues, les poignées en cuir ou les sangles. Sont également exclues : une mauvaise utilisation du chariot, une surcharge du a un sac de golf trop chargé (max. 16 kg), des dégâts d'eau suite à une immersion du chariot dans l'eau ou le nettoyage au jet d'eau.

Pour vous assurer de recevoir de l'aide aussi rapidement et facilement que possible en cas de réclamation au titre de la garantie, **veuillez vous inscrire dans les 30 jours suivant l'achat de votre produit sur warranty.bigmaxgolf.com**
Ce code QR vous mènera directement à l'enregistrement.



- ▶ En cas de garantie veuillez contacter votre revendeur ou nous contacter directement.

- ▶ En cas de livraison de remplacement ou de réparations effectuées sous garantie, la période de garantie ne sera pas prolongée.

ATTENTION!

- ▶ **L'acheteur est responsable en cas d'utilisation non conforme.**
- ▶ **Ne laissez pas le chariot sans surveillance. Le chariot est UNIQUEMENT destiné au transport de sacs de golf avec des clubs. Le chariot n'est pas destiné au transport de personnes ni même d'enfants!**

Responsabilité



Veuillez sécher le chariot après avoir joué sous la pluie.

Nettoyez le chariot uniquement avec des nettoyants ménagers non abrasifs et un chiffon doux. Les taches d'eau peuvent être enlevées avec un chiffon en microfibres ou un nettoyant pour acier inoxydable.

Nettoyage et entretien



ATTENTION!

- ▶ **Ne nettoyez jamais le chariot avec un jet d'eau ou jet d'eau haute pression! Cela détruit les joints et les composants électroniques. Les dégâts suite à ce cas de figure ne seront pas pris en charge par la garantie.**

- ▶ Ne pas huiler ni graisser le chariot! Tous les matériaux sont de conception à faible usure - le graissage n'est pas nécessaire.

ACCESSOIRES

Accessoires

- ▶ Veuillez n'utiliser que les accessoires d'origine BIG MAX, car les dommages causés par l'utilisation d'accessoires non conforme invalideront la garantie.

- ▶ De plus amples informations sur les accessoires sont disponibles auprès de revendeurs spécialisés ou sur www.bigmaxgolf.com

BIG MAX Europe

Carlberggasse 66, 1230 Vienna

Phone: +43 1 867 43 33

E-Mail: office@golftech.at

Internet: www.bigmaxgolf.com